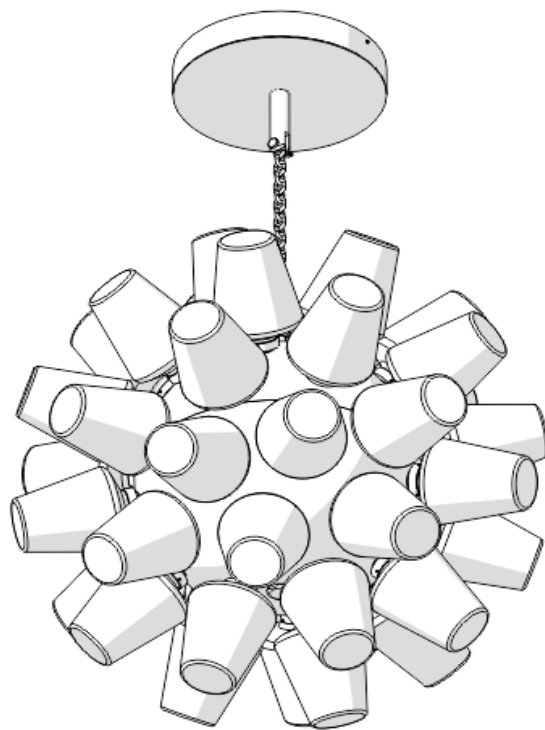


LASVIT

ASSEMBLY AND MAINTENANCE MANUAL

Decorative fixture
CL013SA-1UL



Created 01/08/2018

LASVIT s.r.o.
nám. Míru 55 / 473 01 Nový Bor / Czech Republic
T +420 481 120 810 / M +420 724 866 809 / F +420 481 120 622
www.lasvit.com

CONTENTS

CONTENTS.....	2
Please read this manual carefully and keep it in case you need assistance while performing maintenance and cleaning procedures.....	2
GENERAL INFORMATION	3
PRODUCT DESCRIPTION	4
ASSEMBLY MANUAL.....	4
PREPARING FOR INSTALLATION	4
ASSEMBLY	6
THE ELECTRICAL CONNECTION	10
INSTALLATION OF GLASS ELEMENTS.....	13;
MAINTENANCE INSTRUCTIONS.....	14
EXCHANGE OF LIGHT SOURCE	15
CLEANING.....	15

Please read this manual carefully and keep it in case you need assistance while performing maintenance and cleaning procedures.

GENERAL INFORMATION

TECHNICAL PARAMETERS /

Product number / CL013SA-1UL
Input voltage / 120V AC, 60Hz
Rated power / 198 W
Weight / approx. 125 kg (276 lb)
Protection rating / IP 20
Safety class / CLASS I

The fixture was designed and manufactured by /

LASVIT s.r.o.
nám. Míru 55, Nový Bor 473 01
Czech Republic
T +420 325 516 330
F +420 325 516 331
E lasvit@lasvit.com
W www.lasvit.com

The product mustn't be removed together with mixed residential waste, it must be postponed to designated places or in places of return.



PRODUCT DESCRIPTION

Fixture equipped with hand blown glass and modules LED

ASSEMBLY MANUAL

Installation of the chandelier should perform personnel appropriately qualified and experienced!

Assembly and connection to main power supply must be provided by authorized electrician only!

At least two people qualified to perform work at height are needed for the assembly!

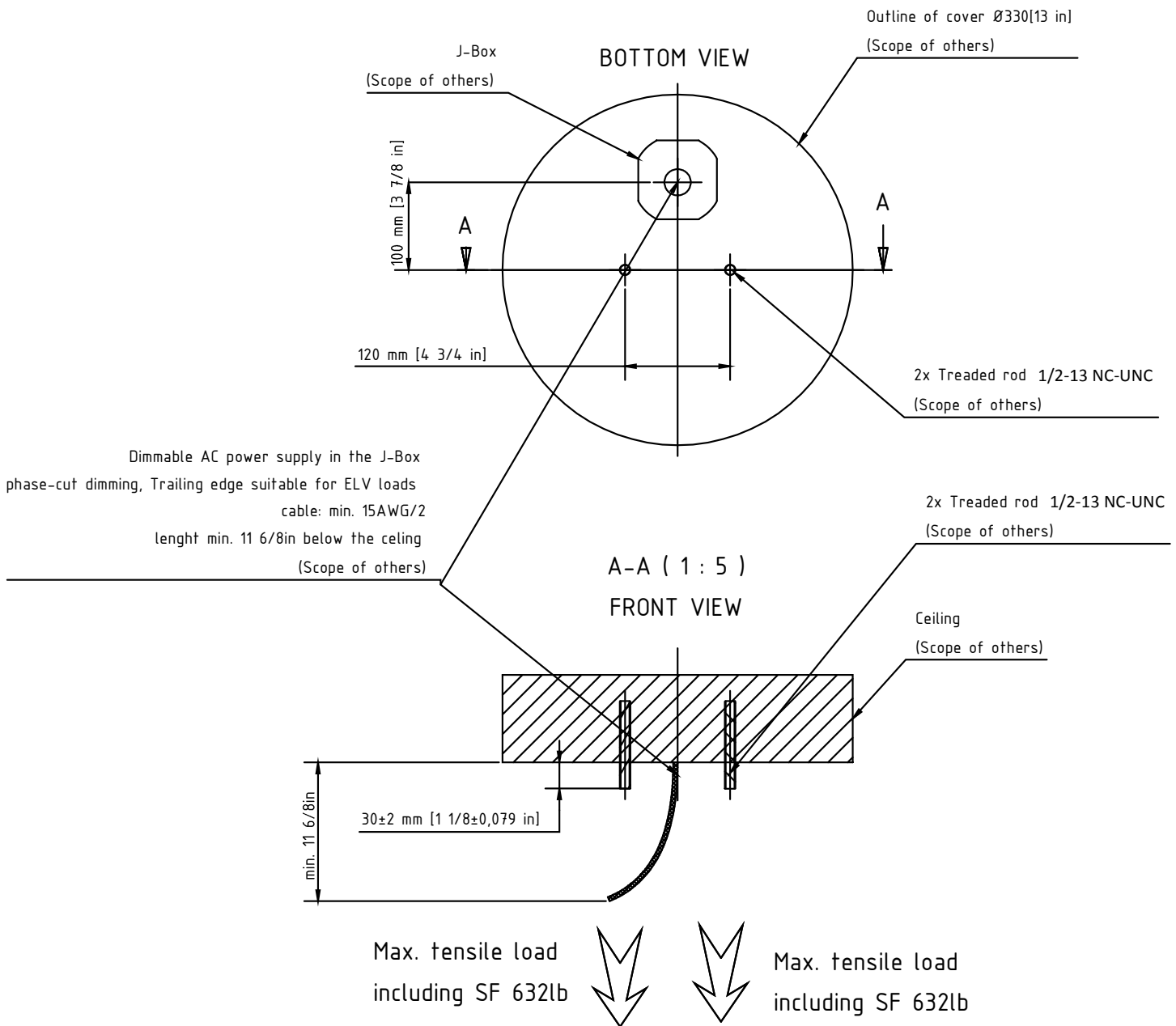
Before starting installation, ensure that the power to the lighting fixture is switched OFF and secured against unauthorized, negligent or accidental switching on.

PREPARING FOR INSTALLATION

Required tools:

- 1) Socket wrench with extension
- 2) Allen key set
- 3) Screwdriver
- 4) White cotton gloves x2
- 5) Measuring instrument
- 6) Hexagon key numb.19

Start installation from preparing the power supply and fixing point. Maximum tensile load on fixing point should be 470 kg including safety factor (pic.1)

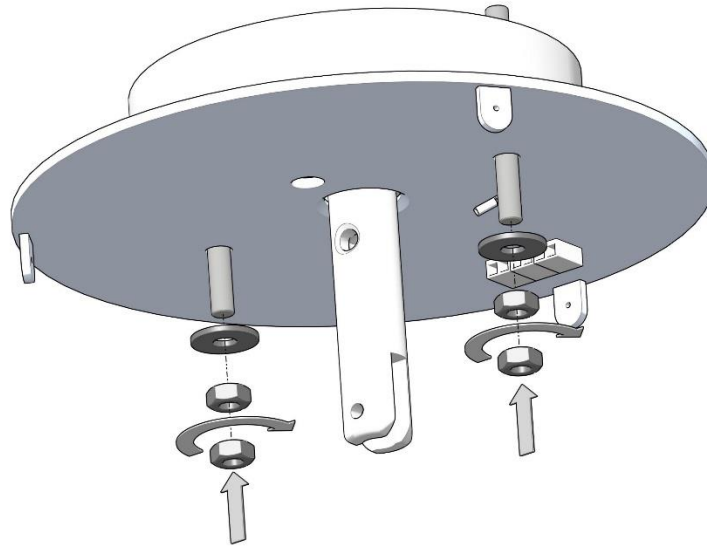


Pic.1

ASSEMBLY

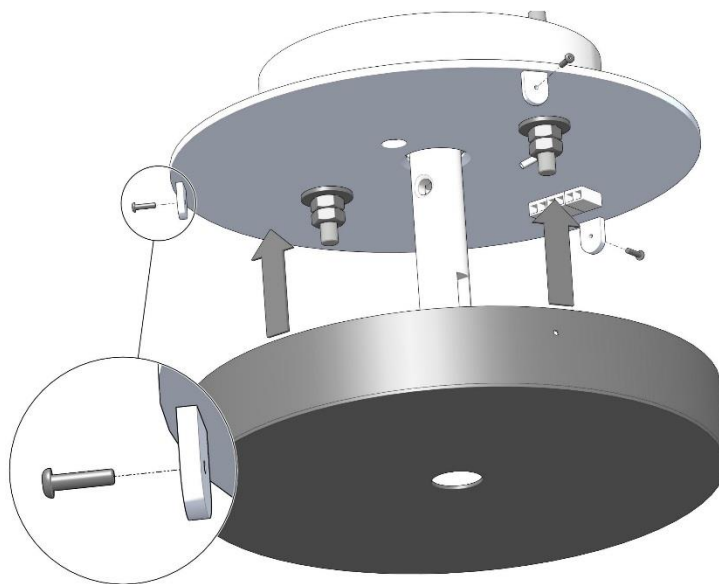
Please follow the steps below:

1. Unpack all components. Be aware not to damage the glass and decorative elements.
2. Mount upper bearing frame using nut **M10** (4pcs).



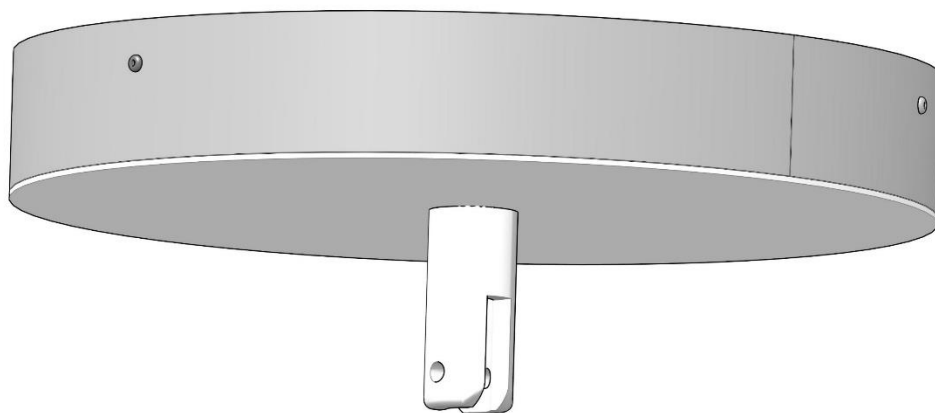
Pic.2

3. Provide electrical connections according to relevant wiring diagram (see "The electrical connections" clause)
4. Mount decorative cover using screw **M3x12** (3pcs.) (pic.3)



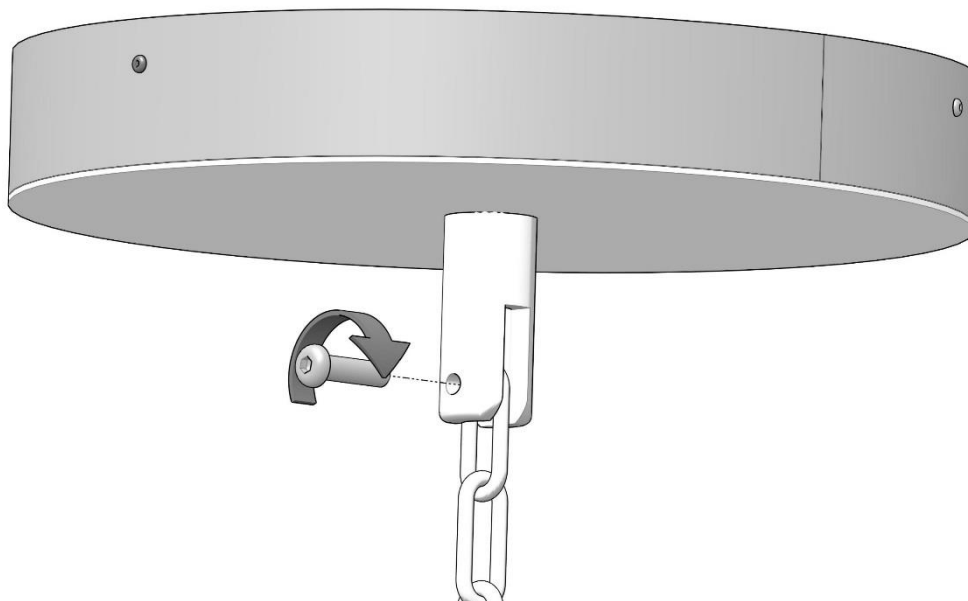
Pic.3

5. After installation upper fixture should look according with pic.5



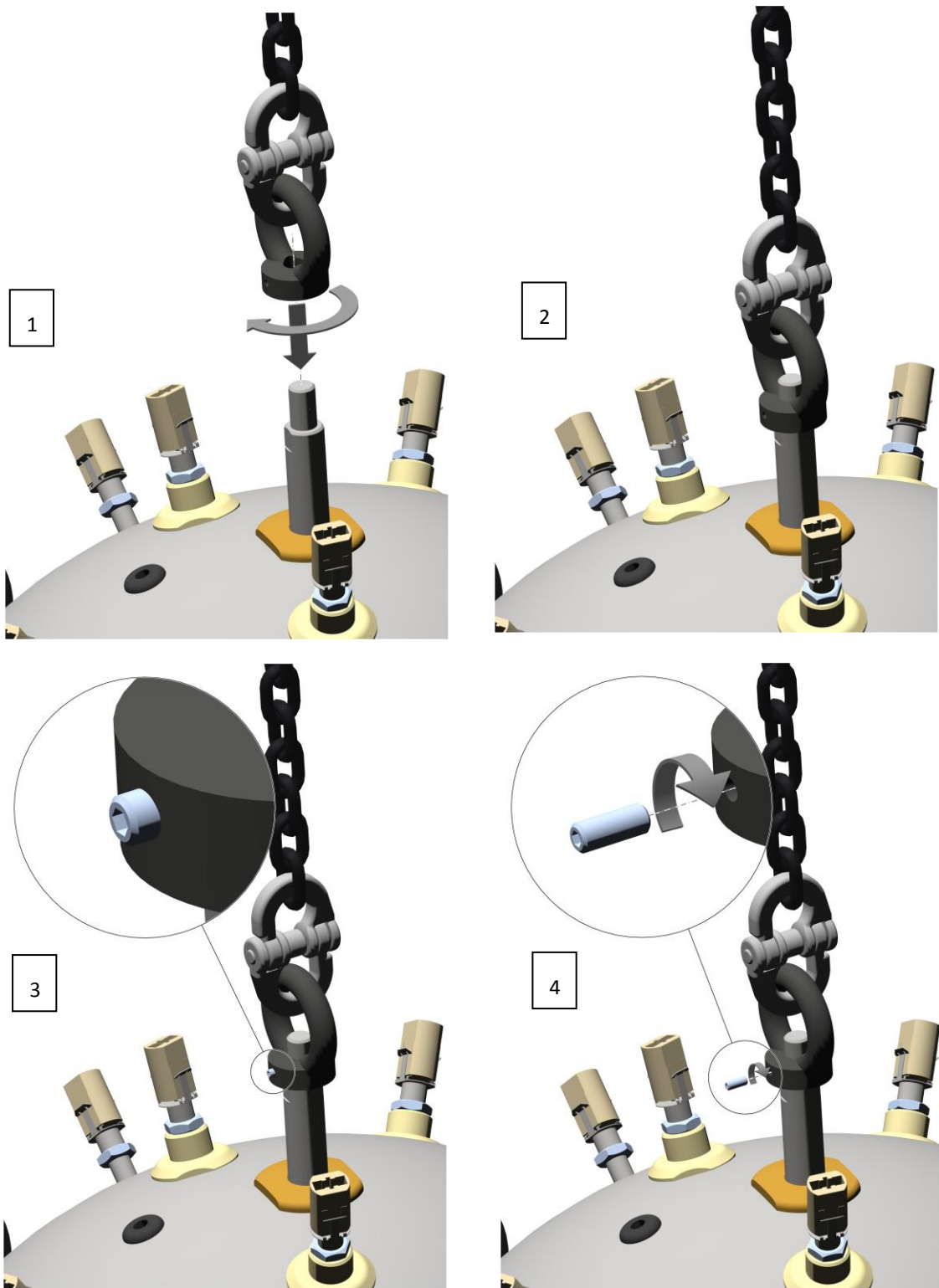
Pic.5

6. Mount chain **DIN 763** (pic.6) using **bolt** (pic.6)



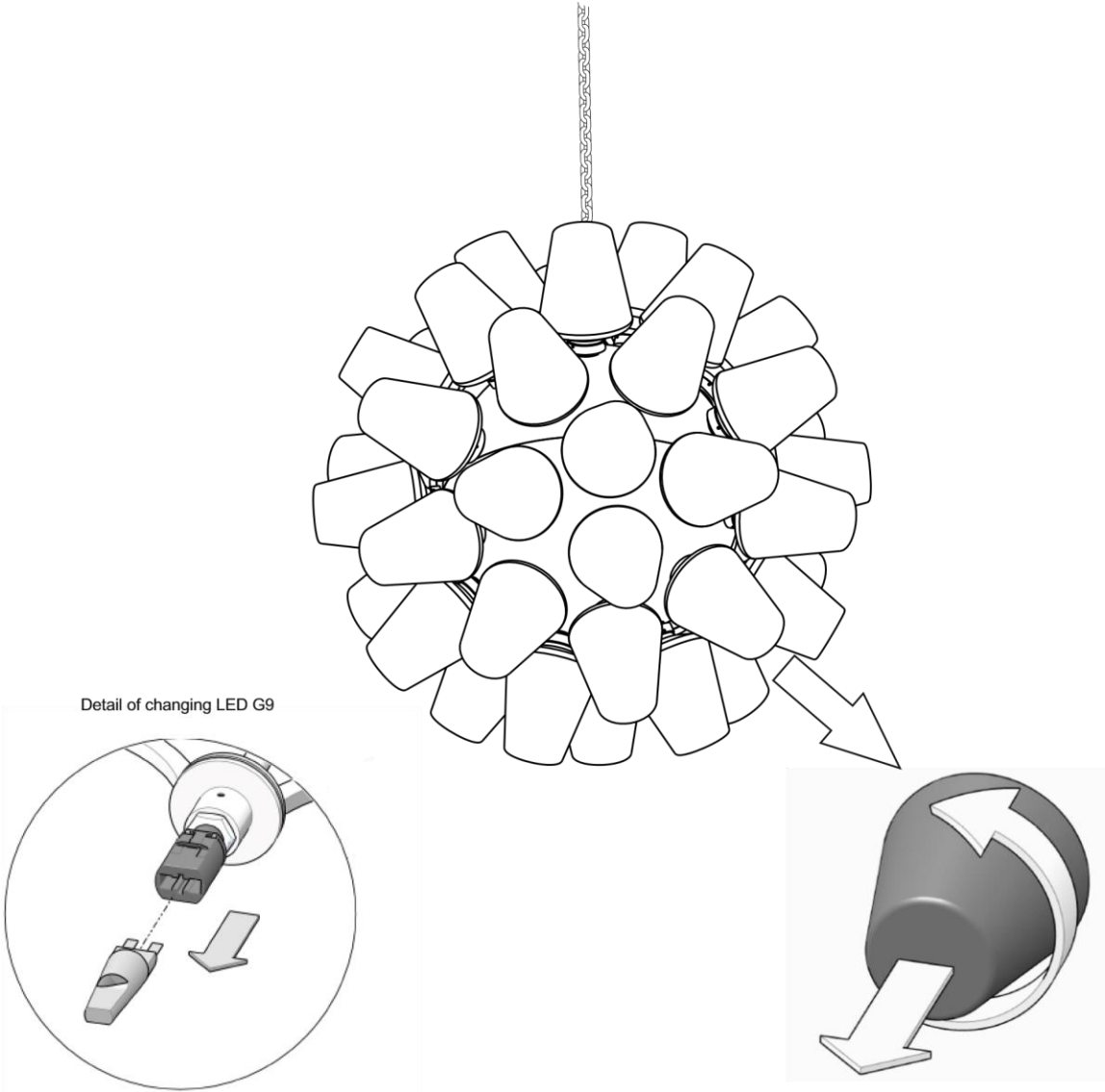
Pic.6

7. Next connect chain to main construction using carabiner with security nut. (pic.7)



Pic.7

1. Insert LED G9 , 4,5 W, 3000 K, degrees in socket G9 (pic.8).

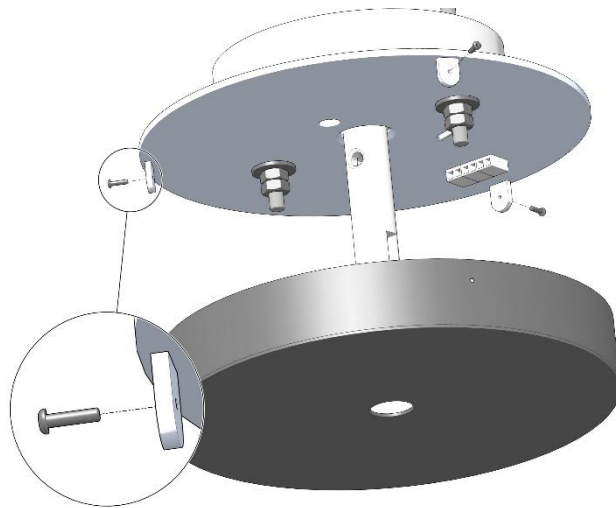


Pic.8

THE ELECTRICAL CONNECTION

Installation of electrical equipment

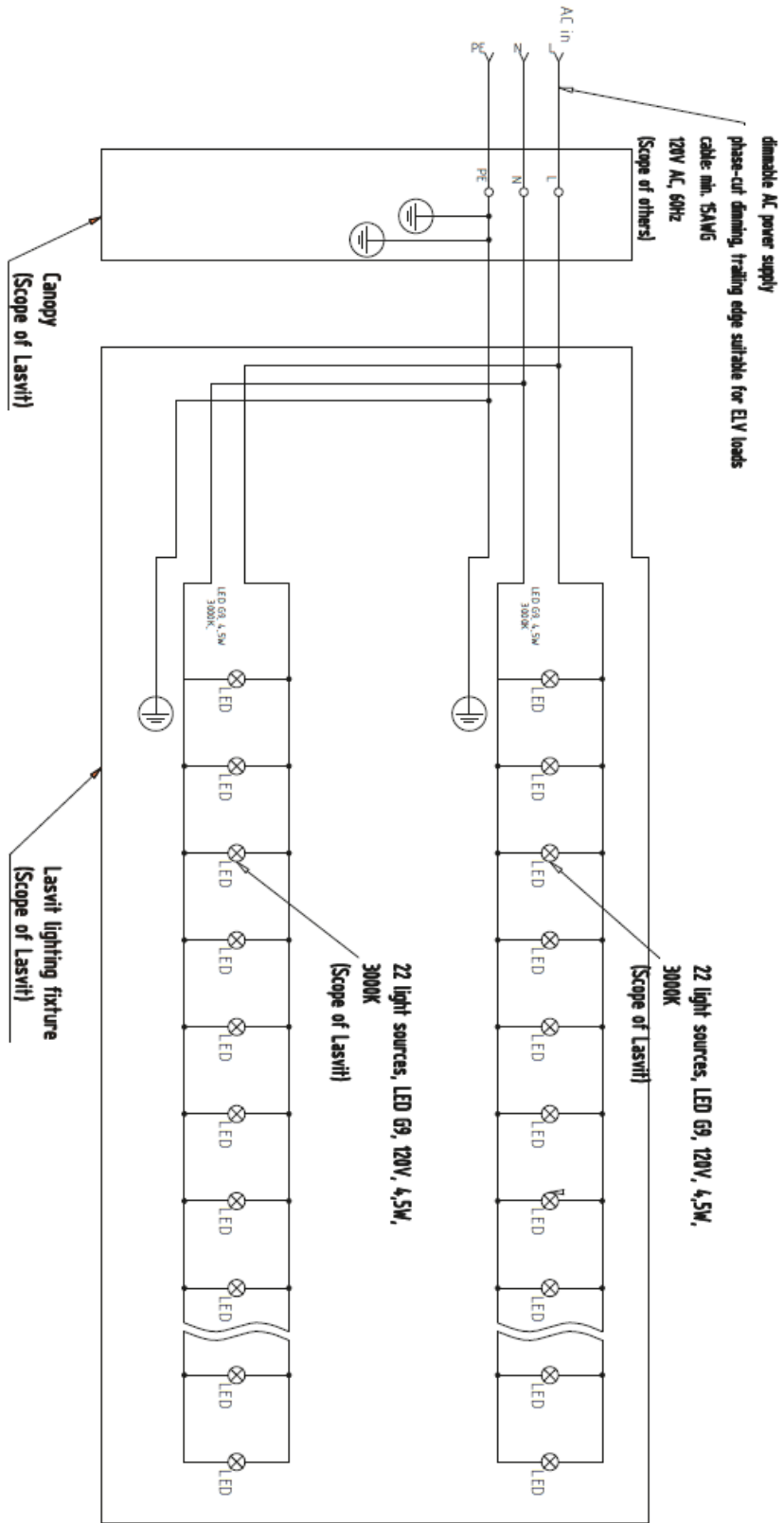
All the LED drivers should be placed into the top bearing frame. In order to ensure easy mounting and servicing, top decorative cover should be down (need to unscrew 3 x M3). Cables from main construction insert inside tube dia.30mm, next connect according wiring diagram.



Electrical connections

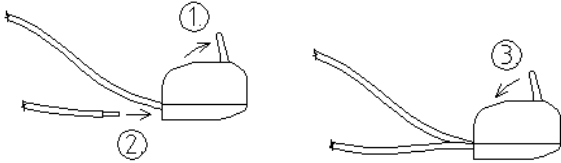
All the electrical connections should be performed according to the wiring diagram on the next page.

Wiring diagram (WD)



All electrical connection should be performed using easy-locking WAGO terminal blocks (included in chandelier package). Terminal block function:

1. *Move the lever up (1)*
2. *Insert the wire into the terminal block (2)*



3. *Move the lever down (3)*

Make sure no wires were damaged during the assembly.

Protective conductor PE (green – yellow insulation) from power supply should be placed in to the terminal PE of chandelier.

Measurement of the insulation resistance and measure the effectiveness of insulation and protection against accidental contact should be performed after final installation.

Turn on power to make sure the fixture lighting works properly **before installation of glass components**

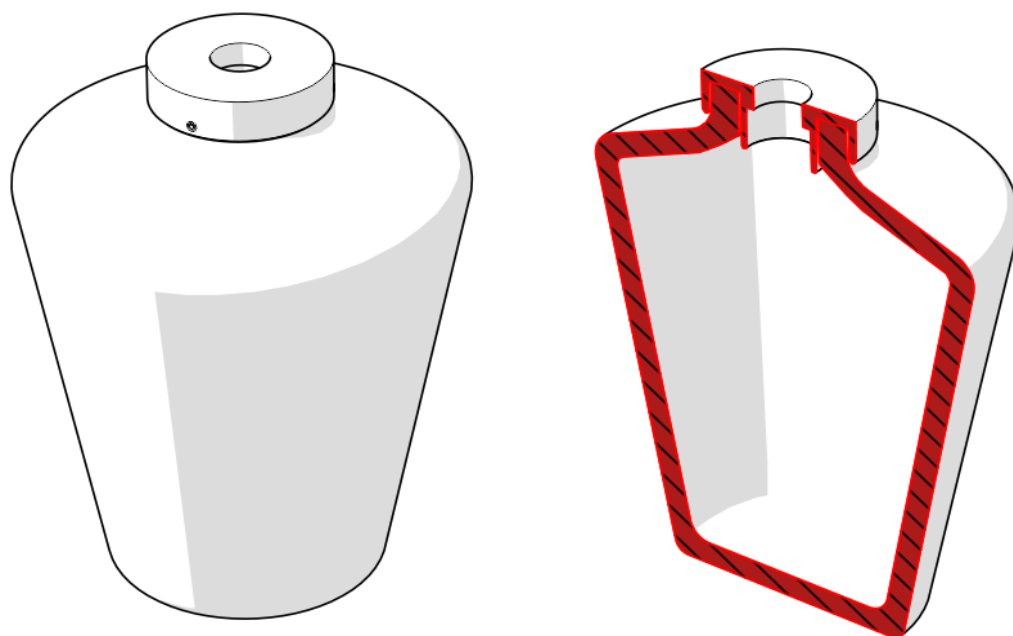
INSTALLATION OF GLASS ELEMENTS

Make sure the fixture lighting works properly **before installation of glass components.**

Before starting glass installation make sure that glass will be mounted without touching direct by hand.

For mounting glass elements will be best to using the white cotton gloves.

Mount glass on upper and bottom half-dome.



Pic.9

After finish the glass installation chandelier should look like this:



Pic.10

MAINTENANCE INSTRUCTIONS

Please read carefully following general rules which must be respected during all maintenance procedures.

Attention, before starting any maintenance procedure, ensure that the power to the lighting fixture is switched off and secured against unauthorized, negligent or accidental switching on.

In case of failure other than light source, contact please authorized service or manufacture. Your warranty repair will be proceed according to general warranty and sales conditions.

EXCHANGE OF LIGHT SOURCE

Light source type: 44xLED G9 (4,5W)

Replacement of the light source should be provided by qualified technician to prevent any damage to health or property.

CLEANING

Please read carefully following general rules which must be respected during all maintenance procedures.

Attention, Before starting any maintenance procedure, ensure that the power to the lighting fixture is switched off and secured against unauthorized, negligent or accidental switching on.

Do not use any solvent based detergents containing alcohol, methyl alcohol, diluents, acetone, white spirit and other substances which could damage the surface of your fixture.

We strictly recommend to use suitable chandelier cleaner such as Sparkle Plenty or similar or to use only dry method using

the duster. Do not use abrasive substances or rough cleaning sponge which can scratch the surface of your fixture.

Using a vacuum cleaner is not recommended, the hard nozzle can scratch the surface of your fixture. Use a suitable working platform to prevent any injury.

Recommended cleaning equipment:

soft rag, lint free, for cleaning the surface

soft solution of warm water and nonaggressive soap and

other soft rag, lint free, for drying the surface

When cleaning the fixture start from the top continuing to the bottom.

Change the cleaning solution every time there is visible contamination

After completing the cleaning wait to complete drying before you connect the power supply.