

- 1 Put the big metal ring carefully on the glass part.
- 2 Put the „necklace“ around glass neck and connect it. There must be right number of beads. The necklace must fit perfectly to the groove in metal ring.
- 3 Put thin metal ring on the top of glass neck.
- 4 Put the second big metal ring on top of thin metal ring. It should fit together.
- 5 Use 4 screws and nuts with springs to connect two big metal rings together.
- 6 Pull two metal wires through holes in big metal ring.
- 7 Insert source of light

The fixture was designed and manufactured by /
 Lasvit s.r.o. / Komunardů 32 / 170 00 Praha 7 / Czech Republic
 T +420 481 120 810 / F +420 481 120 622 / E lasvit@lasvit.com
 lasvit.com

Never dispose of this product in mixed municipal waste, it must be submitted at the designated disposal installation.

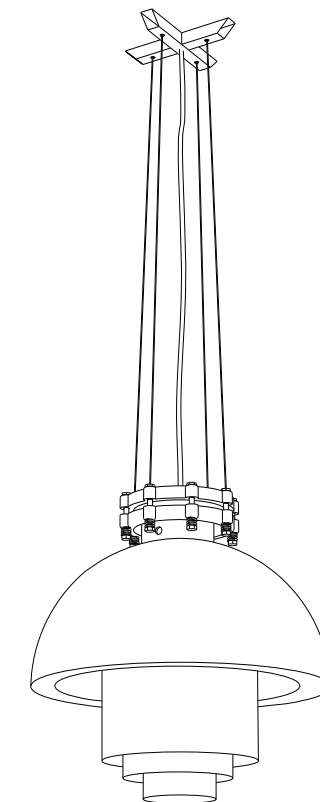


In case you need any assistance or have any suggestion, please contact us at lasvit.com

© LASVIT s.r.o. / Komunardů 894/32
 170 00 Prague 7 / Czech Republic

LASVIT TRANS MISION PENDANT^{UL}

by deForm



Light Design Experience

1/ Technical parameters

Item ID / 16X046-00-UL
Dimensions / dia 24 in × OH max. 196 7/8 in
Weight / approx. 84 lb
Input voltage / 120 V, 60Hz
Rated power / 1 × 2G11 (max. 40 W)
Protection rating / IP 20
Safety class / CLASS I

The producer Lasvit s.r.o. declares under its sole responsibility that portable luminaire **16X046-00-UL** conforms to the following standards and published the Declaration of Conformity:

USA Standards	Canada Standards
UL 1598	CAN/CSA C22.2 No.250

Please read this manual carefully and keep it in case you need assistance while performing maintenance and cleaning procedures.

2/ Step-by-step installation

⚠ Before starting any procedures make sure that the power to the lighting fixture is switched OFF and secured against unauthorized, negligent or accidental switching on.

Installation and electrical wiring should be carried out by qualified technician to prevent any damage to health or property.

The manufacturer shall not be held liable for any defects caused by unqualified handling of the lighting fixture.

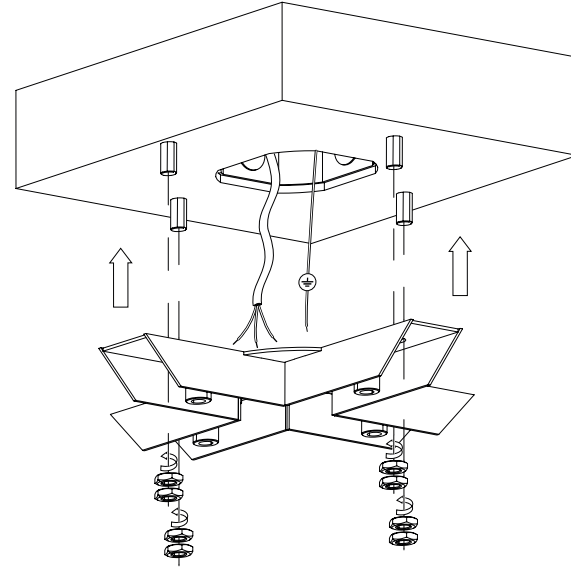
Proper fixing shall be the responsibility of the customer.

The screw terminal and J-box are not part of the lighting fixture kit. This lighting fixture is to be mounted on fire proof surfaces.

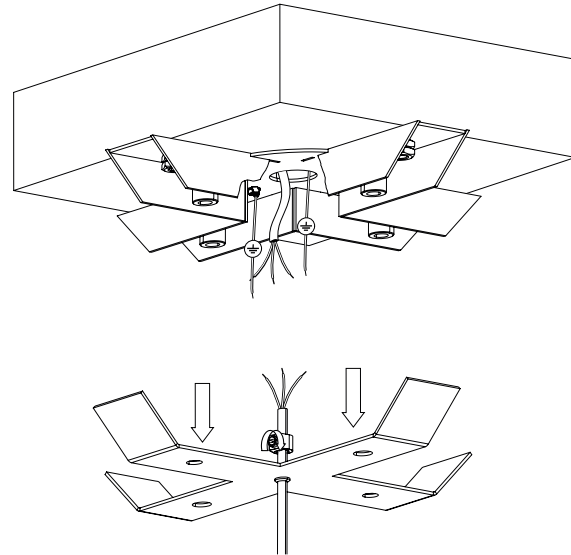
Do not cover the lighting fixture with any material, it is necessary for the hot parts to be cooled by freely flowing air, otherwise there is a risk of fire.

Installation requires 2 persons.

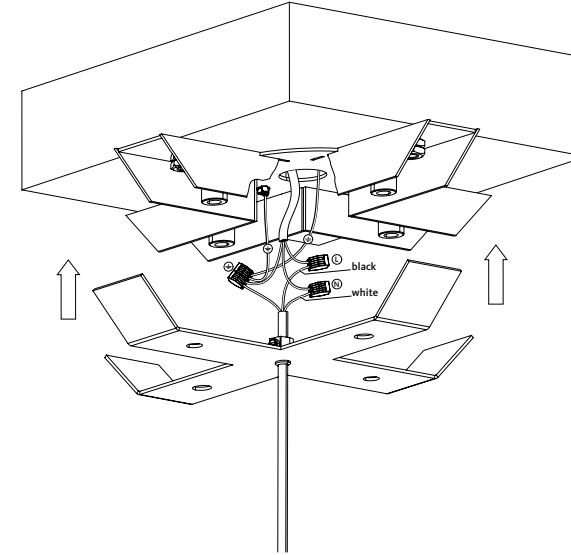
2.1/ Step 1



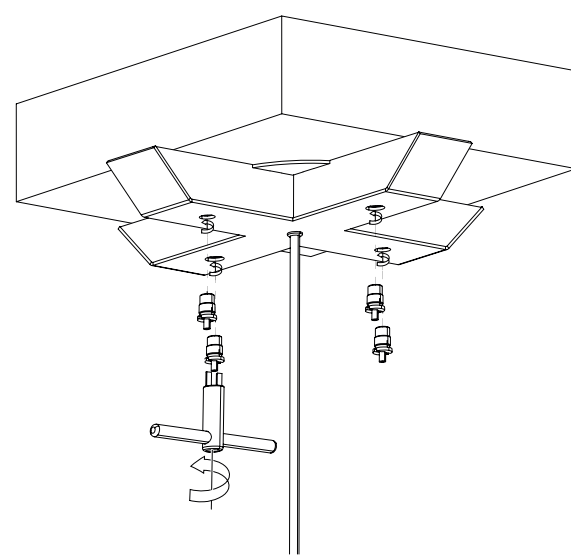
2.2/ Step 2



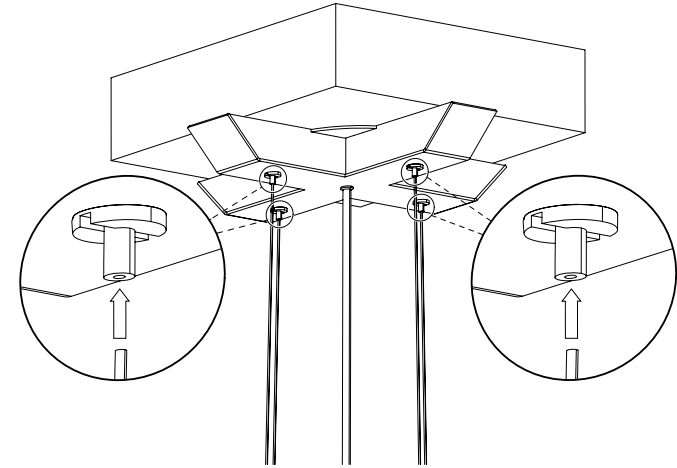
2.3/ Step 3



2.4/ Step 4



2.5/ Step 5



2.6/ Step 6 — Exchange of light source

All light sources can be supplied by the manufacturer Lasvit s.r.o. Replacement of the bulb should be carried out by qualified technician to prevent any damage to health or property.

Lasvit provides NO warranty on bulbs and is not responsible for any damages or injuries caused during its installation or during its operation.

Before starting installation make sure the power to the lighting fixture is switched OFF and secured against unauthorized, negligent or accidental switching on.

The manufacturer shall not be held responsible for improper function when other light source is used. Carry out this step reversely to fit the new bulb.

Plug in the light again.