

Light source replacement /

All light sources can be supplied by the manufacturer Lasvit s.r.o.

Replacement of the bulb should be carried out by qualified technician to prevent any damage to health or property.

The bulb can be very hot so wait at least 10 minutes until it has cooled down and there is no risk of injury.

Unplug the light from the power grid.

Unscrew the faulty bulb anticlockwise. Screw in the new one clockwise. Use E12 bulb with the following specifications: max. 40W, 120V AC.

The manufacturer shall not be held responsible for improper function when other light source is used.

Plug in the light again.

The fixture was designed and manufactured by /

Lasvit s.r.o. / Komunardů 32 / 170 00 Praha 7 / Czech Republic
T +420 481 120 810 / F +420 481 120 622 / E lasvit@lasvit.com
www.lasvit.com

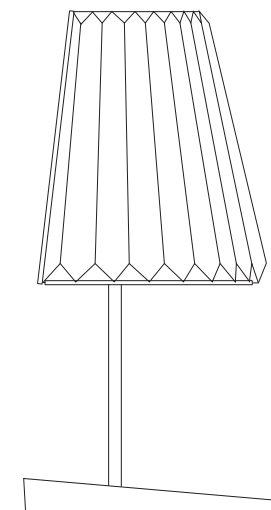
The product musn't be removed together with mixed residential waste, it must be postponed to designated places or in places of return.



© LASVIT s.r.o. / Komunardů 894/32
170 00 Prague 7 / Czech Republic

LASVIT GLITTERS TABLE A MANUAL^{UL}

by Gabriela Náhlíková



Light Design Experience

1/ Technical parameters

Item ID / 07G090-00A

Dimensions / L 9 1/16" x W 8 1/4" x H 8 1/16" x OH 14 15/16"

Weight / approx. 10 lb

Input voltage / 120V, 60Hz

Rated power / 1 x E12 (max 40W)

Protection rating / IP 20

Safety class / CLASS I

The producer Lasvit s.r.o. declares under its sole responsibility that fixed luminaire **07G090-00A** conforms to the following standards:

USA Standards	Canada Standards
UL 1598	CAN/CSA C22.2 No.250

The compliance is proved by UL listing number IEZR.E329461 and IEZR7.E329461

Please read this manual carefully and keep it in case you need assistance while performing maintenance and cleaning procedures.

2/ Step-by-step installation

ATTENTION! Before starting any procedures make sure the power to the lighting fixture is switched OFF and secured against unauthorized, negligent or accidental switching on.

Installation and electrical wiring should be carried out by qualified technician to prevent any damage to health or property.

Check the cable before installation.

In case you find it damaged do not plug in the lighting fixture and have the cable replaced by qualified technician.

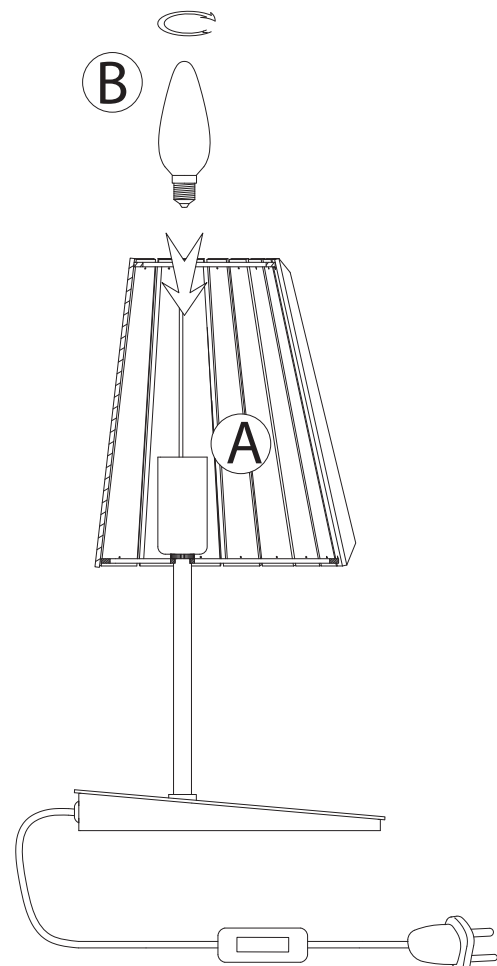
The manufacturer shall not be held liable for any defects caused by unqualified handling of the lighting fixture.

Proper fixing shall be the responsibility of the customer.

Place the lighting fixture in a way that prevents it from being damaged and the risk of electric injury is minimized.

Do not cover the lighting fixture with any material, it is necessary for the hot parts to be cooled by freely flowing air, otherwise there is a risk of fire.

Installation requires 1 person.



/ Step 1 Screw the bulb (B) in the socket (A) clockwise.
Use E12 bulb with the following specifications: max. 40W, 120V AC.
The manufacturer shall not be held responsible for improper function when other light source is used.

Plug in the lamp to the power grid and switch it on.