

LASVIT Technical Sheet

CLOVER COLLECTION

DESIGNER: Michael Young

YEAR OF DESIGN: 2014

MATERIAL: Hand Blown Technical Glass

The Clover array is a direct descendent of the Super Clover, a large geometric lighting form based upon extensive study of the opportunities presented by creating light sculptures within a mathematical grid system. Clover extracts specific elements from this study to create simple and small usable lighting objects that can find use every day in the home. Michael Young, through his collaboration with Lasvit, hopes to bring some of this artistic effort into the personal residence.



PACKAGING

Clover 3 Pendant

Size: 670 × 670 × 520 mm

Total weight: 10kg

Pallet 1350 × 800 × 1700 mm: 6 pcs (Max.)

Clover 6 Pendant

Size: 680 × 680 × 760mm

Total weight: 15 kg

Pallet 1360 × 800 × 1660 mm: 4 pcs (Max.)

Clover table lamp

Size: 430 × 430 × 670 mm

Total weight: 5 kg

Pallet 1300 × 860 × 1480 mm: 12 pcs (Max.)

Clover floor lamp

Size: 670 × 670 × 1820 mm

Total weight: 30 kg

Pallet 1340 × 800 × 1970 mm: 2 pcs (Max.)

LASVIT Technical Sheet

CLOVER COLLECTION

TECHNICAL DETAILS C. 3 PENDANT

| Type | CE | UL |
|---------------|--|-----------------------------------|
| Light source | 3 × LED module 3000K, 7W 12VDC | 3 × LED module 3000K, 7W 12VDC |
| Input voltage | 220V AC/50Hz | 120V AC/60Hz |
| Rated power | 21W | 21W |
| Dimming | Yes/1-10V (client need to provide dimmer) | |
| Canopy color | mirror finish/champagne gold | |
| Cord color | black textile cord with safety wire/aged gold textile cord with safety wire | |
| Cord length | 2000mm/78¾", longer cord is available, contact your sale person | |
| Prot. rating | IP 20 | |
| Safety class | CLASS I | |

LASVIT Technical Sheet

CLOVER COLLECTION

TECHNICAL DETAILS C. 6 PENDANT

| Type | CE | UL |
|---------------|---|-----------------------|
| Light source | 6 × LED module, 3000K | 6 × LED module, 3000K |
| Input voltage | 220V AC/50Hz | 120V AC/60Hz |
| Rated power | 42W | 42W |
| Dimming | Yes/1-10V (client need to provide dimmer) | |
| Canopy color | mirror finish/champagne gold | |
| Cord color | black textile cord with safety wire/aged gold textile cord with safety wire | |
| Cord length | 2000mm/78¾", longer cord is available, contact your sale person | |
| Prot. rating | IP 20 | |
| Safety class | CLASS I | |

LASVIT Technical Sheet

CLOVER COLLECTION

TECHNICAL DETAILS C. TABLE LAMP

| Type | CE | UL |
|--|--|----------------------|
| Light source | 1 × LED module 3000K | 1 × LED module 3000K |
| Input voltage | 220V AC/50Hz | 120V AC/60Hz |
| Rated power | 8W | 8W |
| Adapter | XY-1201000-E | XY-1201000U |
| Dimming | yes/dimming by touch switch (Lasvit provide) | |
| Surface finish/ material of base | mirror finish/champagne gold | |
| Prot. rating | IP 20 | |
| Safety class | CLASS III | |

LASVIT Technical Sheet

CLOVER COLLECTION

TECHNICAL DETAILS C. FLOOR LAMP

| Type | CE | UL |
|--|--|-----------------------|
| Light source | 6 × LED module, 3000K | 6 × LED module, 3000K |
| Input voltage | 220V AC/50Hz | 120V AC/60Hz |
| Rated power | 42W | 42W |
| Dimming | yes/dimming by touch switch (Lasvit provide) | |
| Surface finish/ material of base | mirror finish/champagne gold | |
| Prot. rating | IP 20 | |
| Safety class | CLASS II | |

LASVIT Technical Sheet

CLOVER COLLECTION

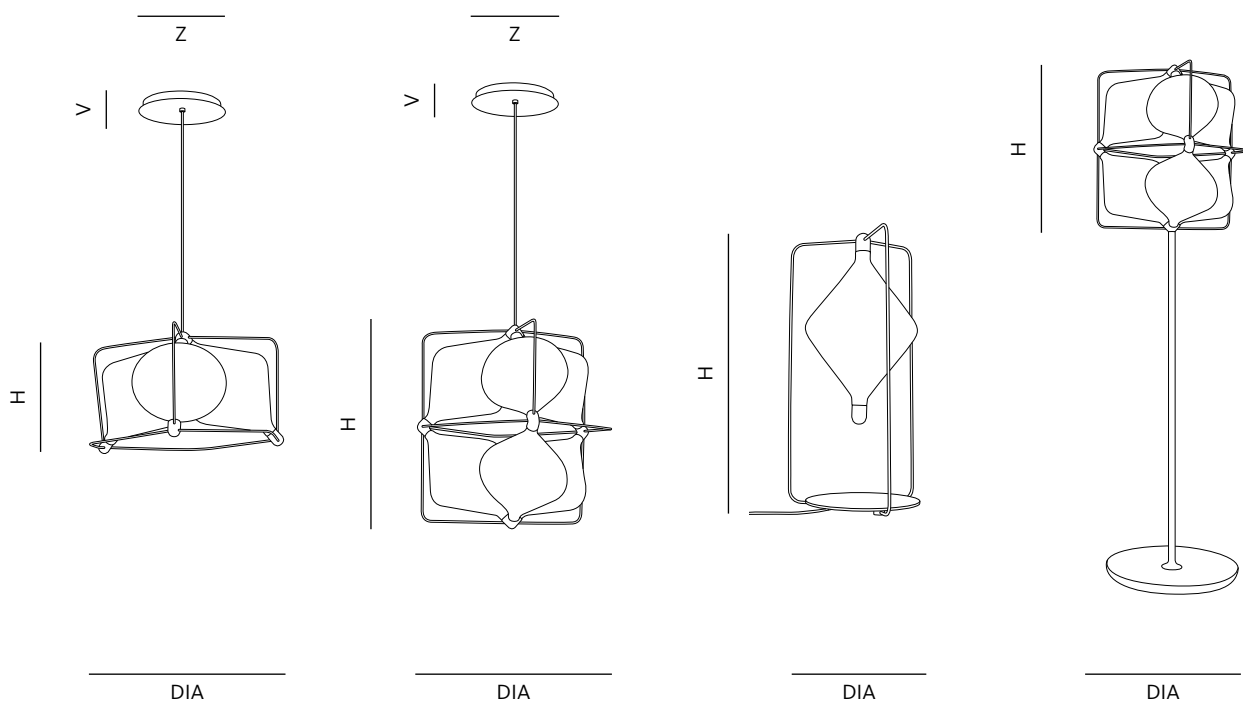
TECHNICAL DRAWING

C. 3 pendant

C. 6 pendant

C. table lamp

C. floor lamp



| Name | Dia (mm/inch) | H / +L (mm/inch) | Z (mm/inch) | V (mm/inch) |
|---------------|--------------------------------------|---------------------------------------|---------------------------------------|-------------|
| C. 3 pendant | 545/21 ¹ / ₆ " | 288/11 ⁵ / ₁₆ " | 370/14 ³ / ₁₆ " | 50/2" |
| C. 6 pendant | 545/21 ¹ / ₆ " | 546/21 ¹ / ₂ " | 370/14 ³ / ₁₆ " | 50/2" |
| C. table lamp | 310/12" | 560/22 ¹ / ₈ " | - | - |
| C. floor lamp | 545/21 ¹ / ₆ " | 1698/66 ⁷ / ₈ " | - | - |

LASVIT Technical Sheet

| Name | Glass color | Item ID – CE | Item ID – UL | Weight (approx.) |
|----------------------|---|--------------------------|--------------------------|-------------------------|
| C. 3 pendant | hand blown technical glass – sand blasted | CL016PA- 1CE00-2605S1 | CL016PA- 1UL00-2605S1 | 7.5kg/16.5lb |
| C. 6 pendant | hand blown technical glass – sand blasted | CL016PB- 1CE00-2605S1 | CL016PB- 1UL00-2605S1 | 10kg/22lb |
| C. table lamp | hand blown technical glass – sand blasted | CL016TA- 1CE00-2605S1 | CL016TA- 1UL00-2605S1 | 1,5kg/3,3lb |
| C. floor lamp | hand blown technical glass – sand blasted | CL016FA- 1CE00-2605S1 | CL016FA- 1UL00-2605S1 | 18kg/39.6lb |

**EACH LASVIT COLLECTION IS UNIQUE BECAUSE IT IS COMPLETELY HANDCRAFTED.
TINY BUBBLES AND OTHER IRREGULARITIES MAY OCCUR DUE TO THE NATURE
OF THE HIGH QUALITY GLASS-BLOWING TECHNIQUE**