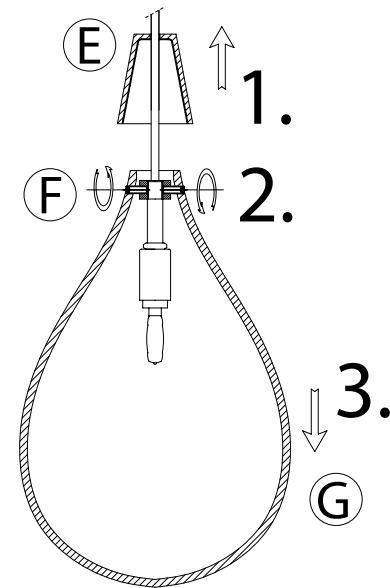


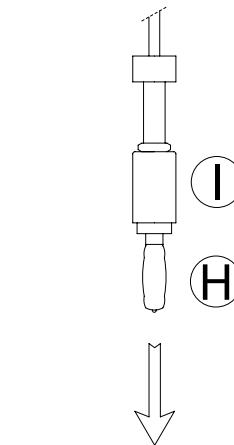
LASVIT POP UP MANUAL^{UL}

by Maarten Baas

In case you need any assistance or have any suggestion, please contact us at www.lasvit.com



/ Step 1 To replace the light source, pull up the cover (E), hold the glass component (G) and unscrew the adjustment screws (F). Remove the glass component (G) and lay it aside.



/ Step 2 Hold the socket cover (I) and pull out the light source (H) as shown in the picture. Use G9 bulb of the following specifications: max. 25W, 120V AC. The manufacturer shall not be held responsible for improper function when other light source is used. Carry out this step reversely to fit the new bulb and to reassemble the light. Plug in the light again.

Light source replacement /

All light sources can be supplied by the manufacturer Lasvit s.r.o. Replacement of the bulb should be carried out by qualified technician to prevent any damage to health or property.

Before starting installation make sure the power to the lighting fixture is switched OFF and secured against unauthorized, negligent or accidental switching on.

The bulb can be very hot so wait at least 10 minutes until it has cooled down and there is no risk of injury.

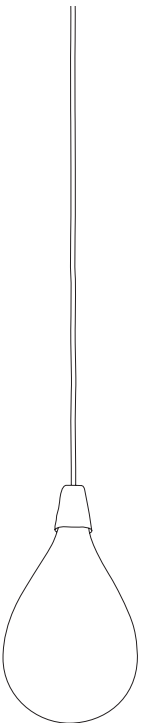
The fixture was designed and manufactured by /
Lasvit s.r.o. / Komunardů 32 / 170 00 Praha 7 / Czech Republic
T +420 481 120 810 / F +420 481 120 622 / E lasvit@lasvit.com
www.lasvit.com

Never dispose of this product in mixed municipal waste, it must be submitted at the designated disposal installation.



© LASVIT s.r.o. / Komunardů 894/32
170 00 Prague 7 / Czech Republic

Light Design Experience



1/ Technical parameters

Item ID / 15X012-00-UL
Dimensions / dia 6 7/8" × H 12 3/16"
Weight / approx. 9 lb
Input voltage / 120V, 60Hz
Rated power / 1 × G9 (max 25W)
Protection rating / IP 20
Safety class / CLASS I

The producer Lasvit s.r.o. declares under its sole responsibility that fixed luminaire **15X012-00-UL** conforms to the following standards:

USA Standards	Canada Standards
UL 1598	CAN/CSA C22.2 No.250

The compliance is proved by UL listing number IEZR.E329461 and IEZR7.E329461

Please read this manual carefully and keep it in case you need assistance while performing maintenance and cleaning procedures.

2/ Step-by-step installation

ATTENTION! Before starting any procedures make sure that the power to the lighting fixture is switched OFF and secured against unauthorized, negligent or accidental switching on.

Installation and electrical wiring should be carried out by a qualified technician to prevent any damage to health or property.

The manufacturer shall not be held liable for any defects caused by unqualified handling of the lighting fixture.

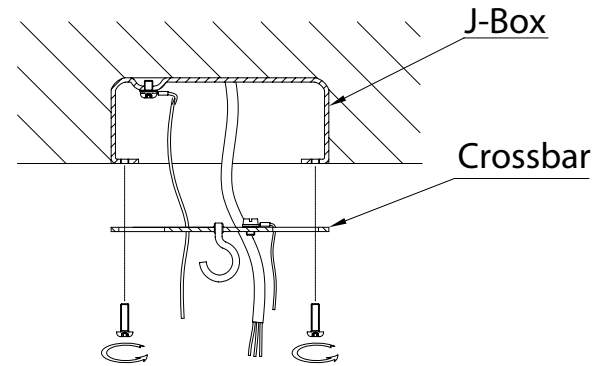
This lighting fixture is to be mounted on fire proof surfaces.

The screw terminal and J-box are not part of the lighting fixture kit.

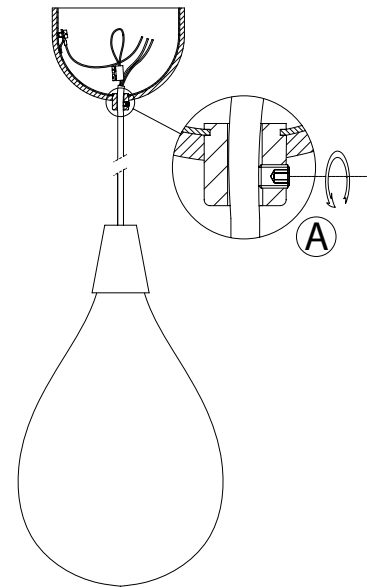
Proper fixing shall be the responsibility of the customer.

Do not cover the lighting fixture with any material, it is necessary for the hot parts to be cooled by freely flowing air, otherwise there is a risk of fire.

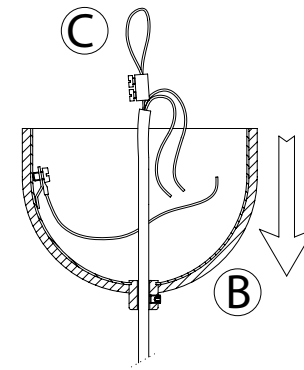
Installation requires 1 persons.



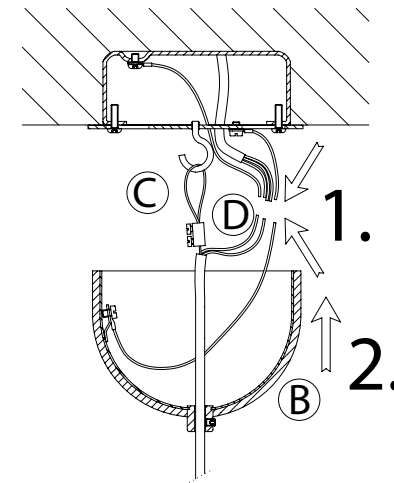
/ Step 1 Mount the crossbar with a hook (which is a part of the kit) into the installed 4 inch J-box with grounding. Use 2 screws which are part of the J-box.



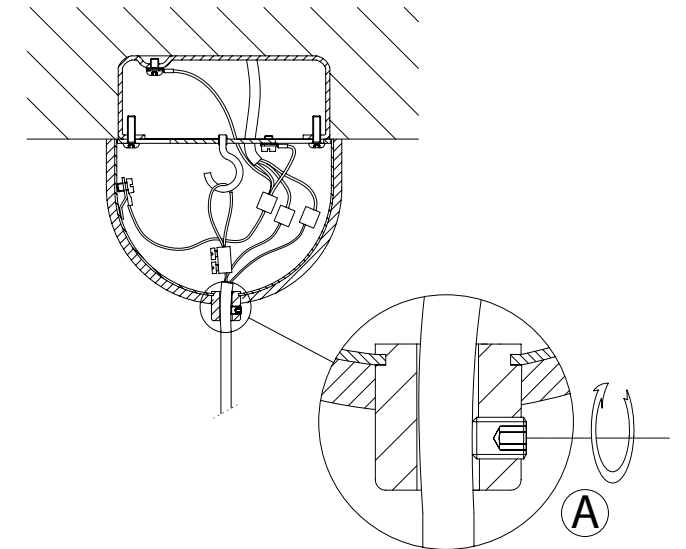
/ Step 2 Untie the adjustment screw on the canopy adjustment ring (A) anticlockwise.



/ Step 3 Pull down the covering (B) to make access to the eyelet (C) easier.



/ Step 4 Electrical wiring should be carried out by qualified technician to prevent any damage to health or property. Hang the lighting fixture with the eyelet (C) on the crossbar fixing hook. Connect the power cables with the cables from the fixture (D) and J-box in screw terminal. Black cable (Hot) with the black, white (Neutral) with the white and green (Ground) with the green ones. Screw terminal is not part of the lighting fixture kit. After connecting the light pull the covering (B) up to the ceiling. Be careful not to crush cables between the covering and ceiling. All cables and screw terminals must be loose inside the covering.



/ Step 5 Secure the covering with the adjusting screw of the canopy adjusting ring (A) clockwise. Plug in the light.